

**Filter: P5G02**

**Color:** Light Yellow  
**Material:** Acrylic  
**VLT:** 92%



Large contoured shield provides maximum eye and face protection. Durable, tough and heat/cold-resistant optical quality polycarbonate material. Lightweight for maximum comfort. Adjustable head piece provides versatility and accommodates fit-over prescription eyewear.

#### Optical Density (OD):

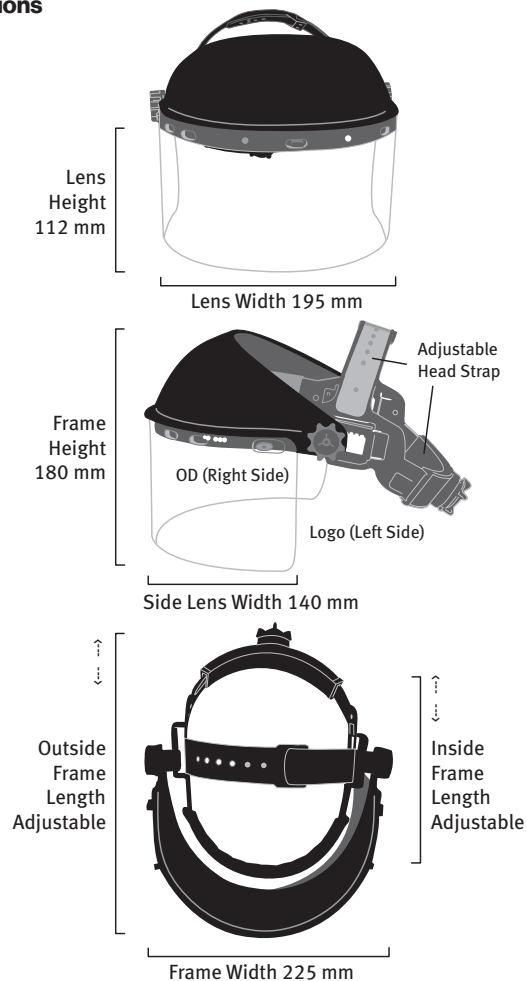
OD 5+ @ 190 - 375 nm  
 OD 6+ @ 10600 nm

#### Face Shield Specifications

Part Number
FS0.P5G02.5000

Available in different filter options and lens height.

**Frame Color:** Black



Authorized Laservision Signature

Date