

### Filter: P5D05

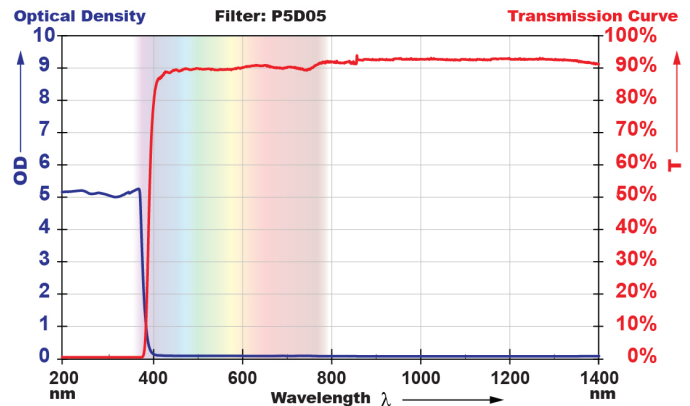
**Color:** Clear  
**Material:** Acrylic  
**VLT:** 90%



Large contoured shield provides maximum eye and face protection. Durable, tough and heat/cold-resistant optical quality polycarbonate material. Lightweight for maximum comfort. Adjustable head piece provides versatility and accommodates fit-over prescription eyewear.

### Optical Density (OD):

OD 6+ @ 10600 nm



Visual interpretation of data. Please refer to the OD specifications for the actual protection level.

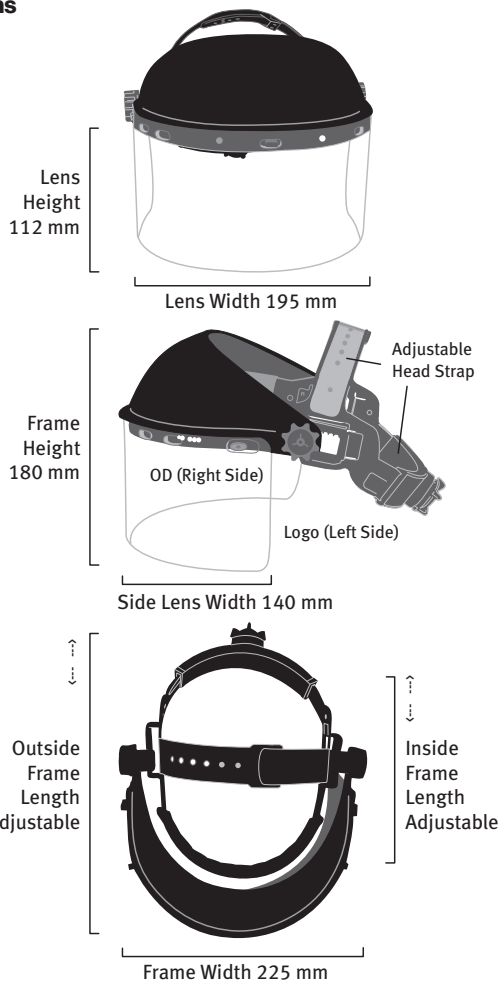
### Face Shield Specifications

#### Part Number

FS0.P5D05.5000

Available in different filter options and lens height.

**Frame Color:** Black



Authorized Laservision Signature

Date