

Filter: P5N01

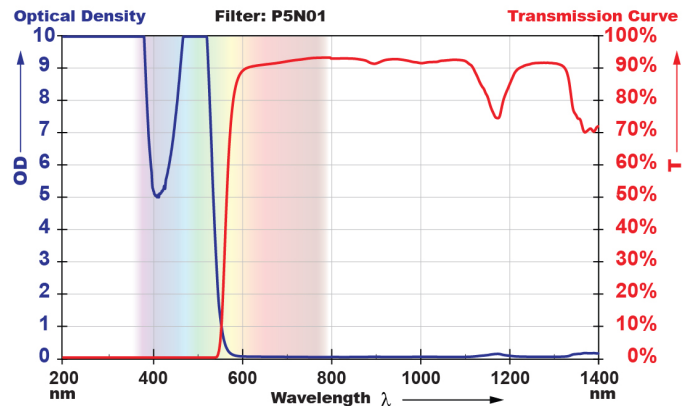
Color: Orange
Material: Acrylic
VLT: 38%



Large contoured shield provides maximum eye and face protection. Durable, tough and heat/cold-resistant optical quality polycarbonate material. Lightweight for maximum comfort. Adjustable head piece provides versatility and accommodates fit-over prescription eyewear.

Optical Density (OD):

OD 5+ @ 190 - 375 nm
OD 4+ @ 375 - 532 nm
OD 6+ @ 532 nm
OD 5+ @ 10600 nm



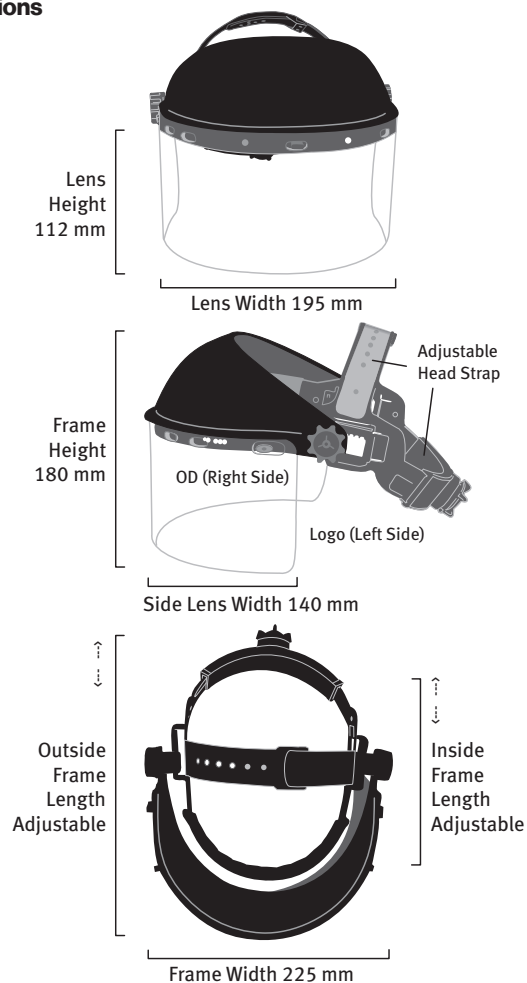
Visual interpretation of data. Please refer to the OD specifications for the actual protection level.

Face Shield Specifications

Part Number
FS0.P5N01.5000

Available in different filter options and lens height.

Frame Color: Black



Authorized Laservision Signature

Date