

Filter: P5P01

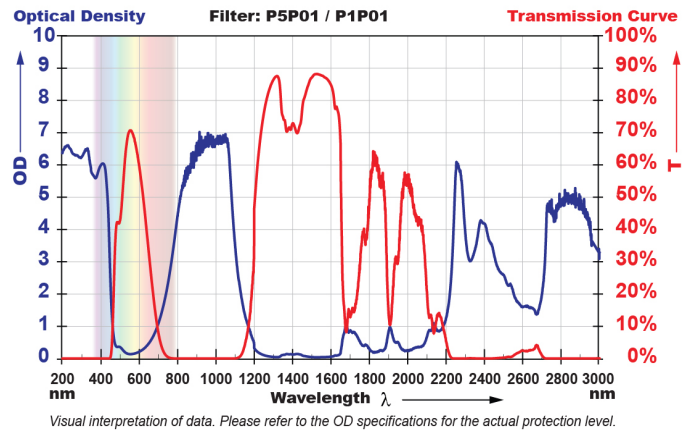
Color: Light Green
Material: Acrylic
VLT: 65%



Large contoured shield provides maximum eye and face protection. Durable, tough and heat/cold-resistant optical quality polycarbonate material. Lightweight for maximum comfort. Adjustable head piece provides versatility and accommodates fit-over prescription eyewear.

Optical Density (OD):

OD 6+ @ 180 - 315 nm
OD 5+ @ 315 - 420 nm
OD 3+ @ 790 - <820 nm
OD 4+ @ 820 - <850 nm
OD 5+ @ 850 - <940 nm
OD 6+ @ 940 - 1065 nm
OD 4+ @ 1065 - 1080 nm
OD 3+ @ 2750 - 3000 nm

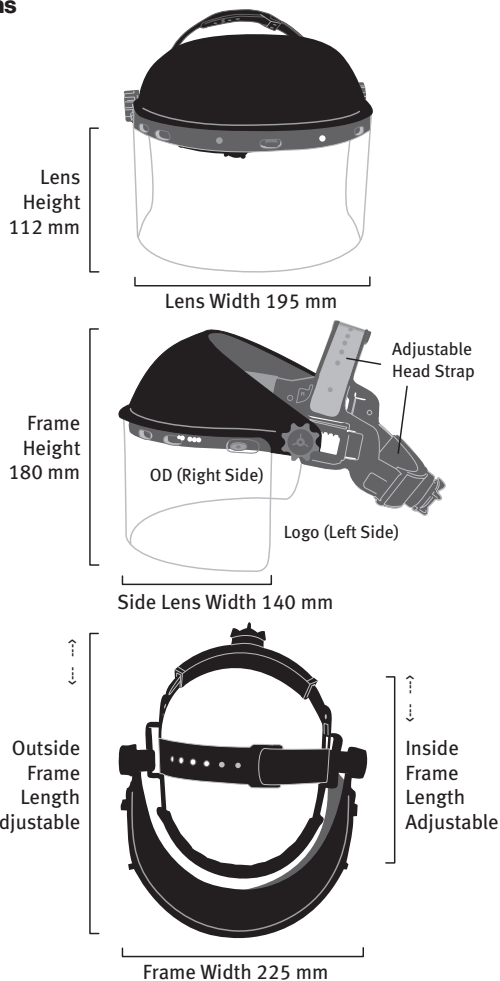


Face Shield Specifications

Part Number
FS0.P5P01.5000

Available in different filter options and lens height.

Frame Color: Black



Authorized Laservision Signature

Date