

### Filter: P5P04

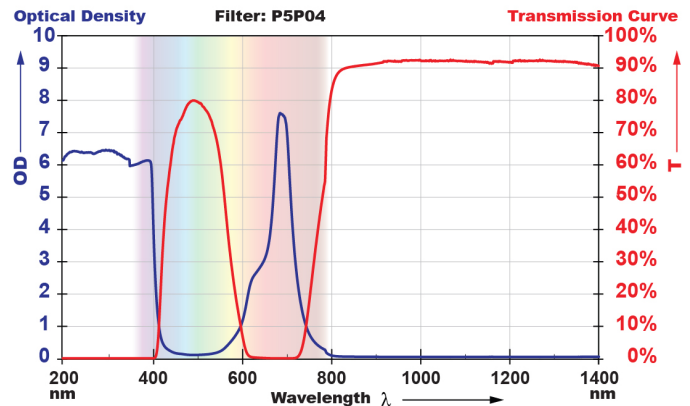
**Color:** Light Blue  
**Material:** Acrylic  
**VLT:** 46%



Large contoured shield provides maximum eye and face protection. Durable, tough and heat/cold-resistant optical quality polycarbonate material. Lightweight for maximum comfort. Adjustable head piece provides versatility and accommodates fit-over prescription eyewear.

### Optical Density (OD):

OD 5+ @ 190 - 375 nm  
OD 6+ @ 694 nm  
OD 5+ @ 670 - 710 nm  
OD 5+ @ 10600 nm



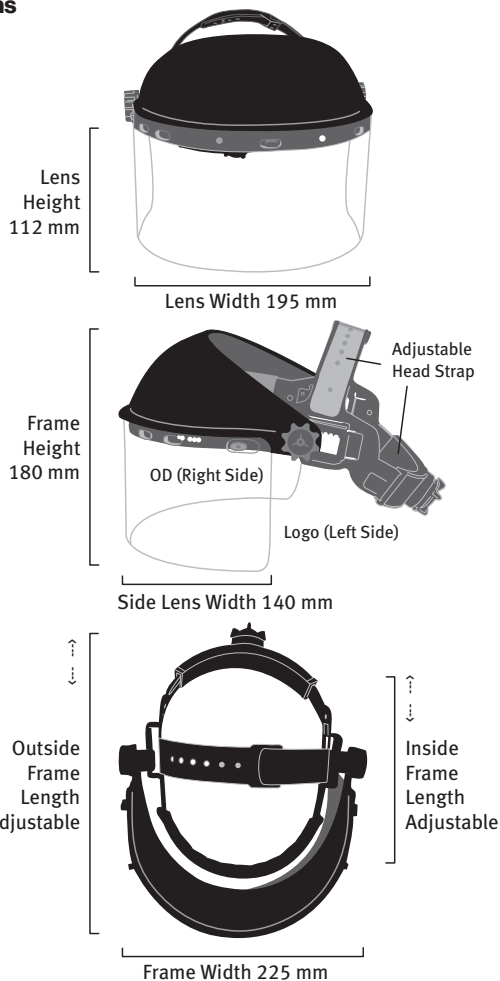
Visual interpretation of data. Please refer to the OD specifications for the actual protection level.

### Face Shield Specifications

Part Number
FS0.P5P04.5000

Available in different filter options and lens height.

**Frame Color:** Black



Authorized Laservision Signature

Date