

### Filter: P5P06

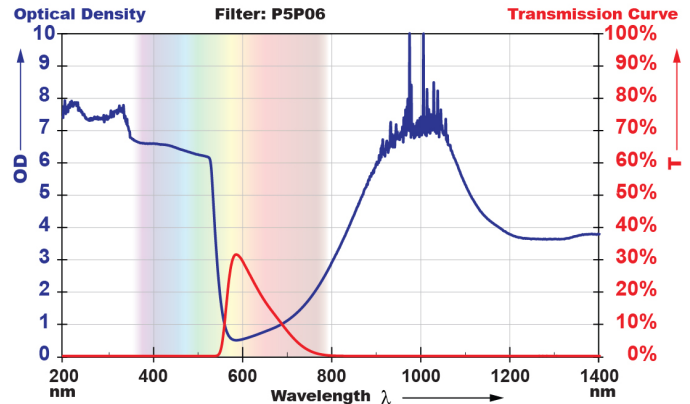
**Color:** Brown  
**Material:** Acrylic  
**VLT:** 6%



Large contoured shield provides maximum eye and face protection. Durable, tough and heat/cold-resistant optical quality polycarbonate material. Lightweight for maximum comfort. Adjustable head piece provides versatility and accommodates fit-over prescription eyewear.

### Optical Density (OD):

OD 5+ @ 190 - 375 nm  
 OD 4+ @ 375 - 532 nm  
 OD 4+ @ 900 - 1070 nm  
 OD 5+ @ 1064 nm  
 OD 5+ @ 10600 nm

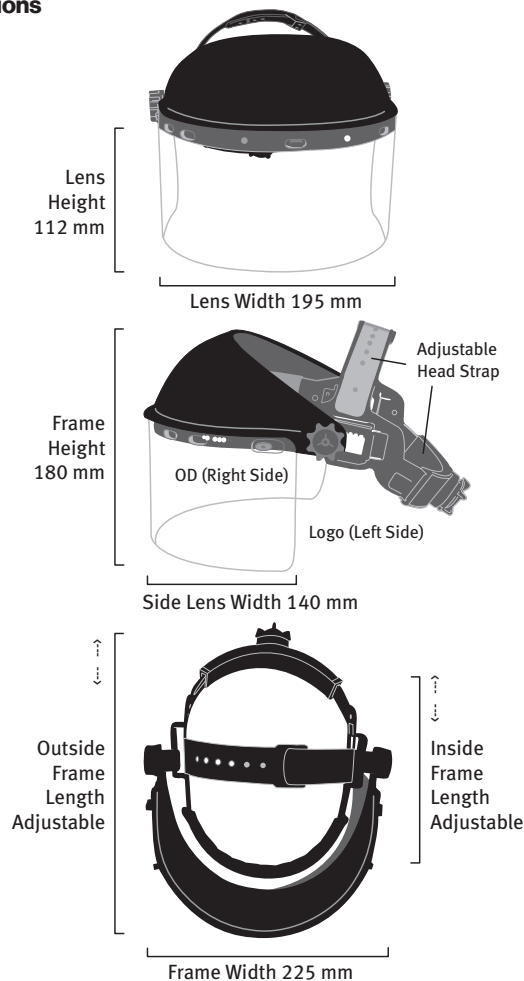


### Face Shield Specifications

Part Number
FS0.P5P06.5000

Available in different filter options and lens height.

**Frame Color:** Black



Authorized Laservision Signature

Date